

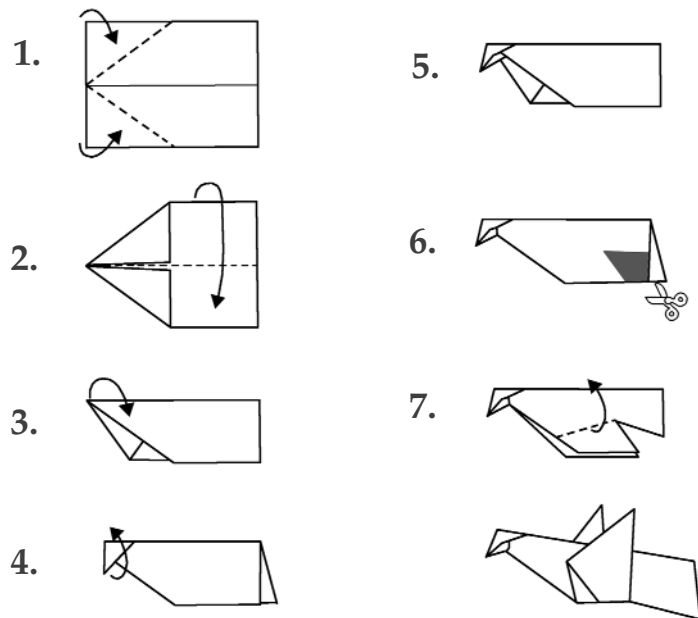
Peace Crane

Peace Cranes may be used to help pray for peace.

Before folding, invite participants to write their prayers for peace on their papers.

When everyone is finished, string the cranes together to become a visible, corporate prayer.

1. Fold a square paper in half, crease and unfold it. Keep the fold horizontal.
2. Fold in the two left corners so that they meet at the previous fold line.
3. Keep the two folded corners (triangles) inside and fold the paper together at the original fold line. Hold with the fold at the top.
4. Fold the top edge over about one-quarter the distance of the entire fold line, creasing it well, to create a head.
5. Reverse the creases of the head by pressing in on the top fold.
6. On the side opposite the head cut away a triangle to form wings and a tail.
7. Fold wings up on both sides.



Sadako Sasaki, a young Japanese girl, developed leukemia in 1955 from the effects of radiation caused by the bombing of Hiroshima. While hospitalized, her closest friend reminded her of the story that any sick person who folded a thousand cranes would get well again. With hope and determination, Sadako began folding.

Sadako died at age twelve. Inspired by her courage and strength, her friends and classmates began to dream of building a monument to Sadako and all the children killed by the atom bomb. Young people throughout Japan helped collect money for the project. In 1958, a statue of Sadako holding a golden crane was unveiled in Hiroshima Peace Park. The children also made a wish which is inscribed at the bottom of the statue and reads:

"This is our cry, This is our prayer, Peace in the world".

In the years since, paper cranes have become a symbol for peace.